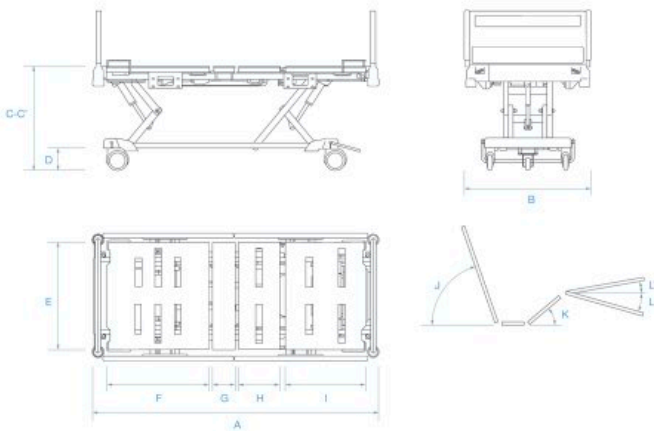


## Technical information

Total length with headboard and footboard (A) *	2200 mm. ± 10 mm.
Total width with rails (B)	970 mm. ± 10 mm.
Minimum/maximum bed base height (without mattress) (C / C') **	415 / 815 mm. ± 10 mm.
Crane passing clearance height (D) **	175 mm.
Bed base section length (F, G, H, I)	790 / 165 / 320 / 625 mm.
Bed base section width (E)	830 mm.
Wheels diameter	150 mm.
Backrest tilting angle (J)	70° ± 5°
Extremities tilting angle (K)	47° ± 2°
Feet tilting angle (L / L')	18° / 7° ± 2°
Bed base sections double regression	165 mm. ± 10 mm.
Trend / Reverse Trend position angles	13° / 14° ± 2°
Maximum patient weight (MPW)	185 kg.
Safe working load (SWL)	250 kg.
Bed unladen weight	120 kg.

\*\* This heights can vary ± 40 mm. according to the bed configuration (wheels model, etc)



## Electrical information

Lifting system	By linear motors
Backrest lifting system	By linear motor
Extremities lifting system	By linear motor
Voltage and frequency	230 V / 50 - 60 Hz
Electric shock protection / liquid penetration	Class II / Type B / IPX6
Maximum consumption	Max. 3 15A (maximum 400 W)
Motor intermittent operation	10% 2 min. - 18 min.

All our manufacturing is protected by our patents. Pardo reserves the right to modify, without prior notice, our models and technical specifications described in this datasheet. This technical information refers to a standard configuration. Any option can make it varies.

## Standard

Controls	Protection	Transport	Wellness	Others
Blockage membrane	Full length rails	Ø150mm simply integral	Lifting feet rastomat	
Patient control	Removable headboard	Brake pedal		

## Optional

Controls	Protection	Transport	Wellness	Others
Rolling membranes		Centralised braking		Battery
		Ø125 mm. wheels with independent brake		

## Accessories

IV Pole
Trapeze bar
Tilttable
Tank holder
Balkan frame